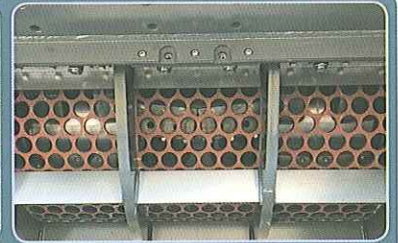
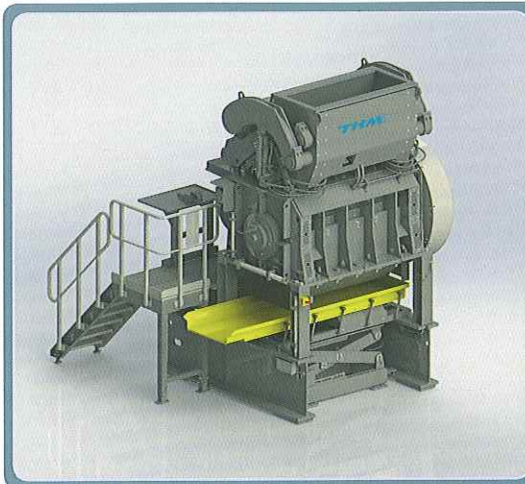


## GRANULATOR ZMK

### GRANULATOR IN AMPLIFIED VERSION FOR EXTREME TASKS...

Granulator for extreme tasks and high throughput. With its large rotor diameter, reinforced housing, extremely solid stator-blade-beam and a rotor that is lined with massive cast wear plates, this granulator is almost up to any task. The enormous rotor mass creates, during the rotation of the rotor, a high torque, which can easily overcome high load peaks. Where other crushers reach their limits, this granulator will be used.



All components are designed for a maximum durability. The rotor of the ZM Granulator is manufactured out of rolled and forged steel and made for a demanding long term use even in the field of scrap metal recycling.

#### ✓ ALL BENEFITS AT A GLANCE

- High throughput capacity up to 15 t/hr.
- Constant cutting quality through re-adjustable knives
- High performance reserves even when cutting massive metal parts
- Easy to change wear parts
- hydraulic pusher
- Rotor lined with wearplates
- reinforced housing and stator-blade-beam

#### ✓ AREAS OF APPLICATION

- Domestic and industrial waste
- Electro- and electronic waste
- Pre-shredded car and truck tires
- Aluminium shavings from turning and milling
- metal profiles
- Cable scrap
- Oil filters
- Steel and plastic barrels
- Plastics
- Paper



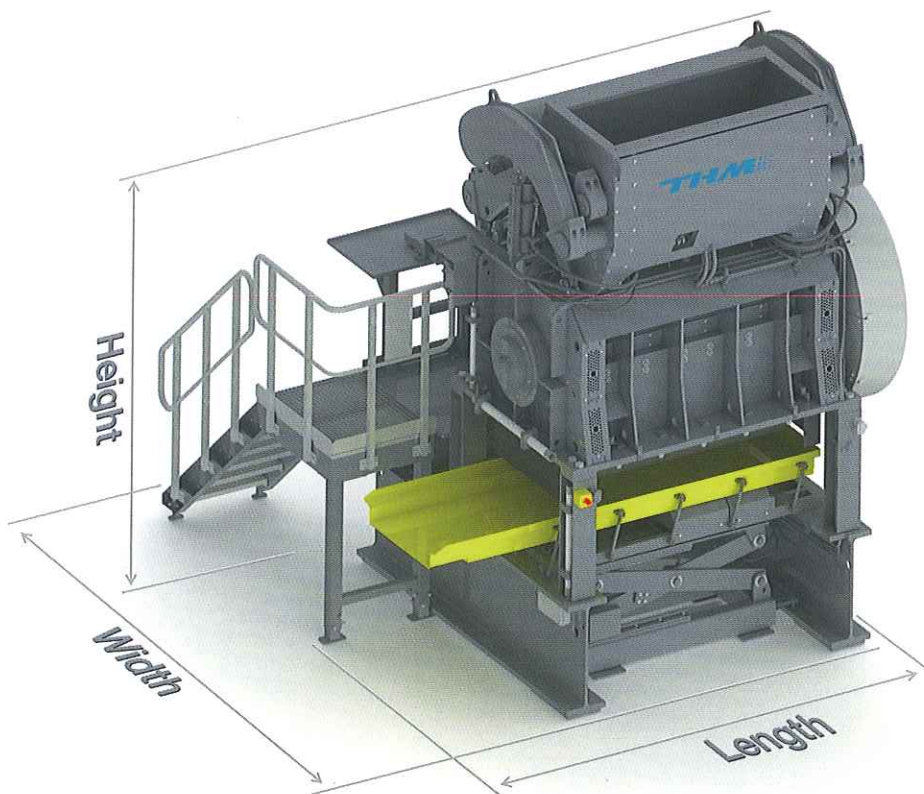
## ✓ PROCESSED MATERIAL FRACTIONS

- Defined output particle size due to easy exchangeable screen
- Granules and flakes 10 – 100 mm

## i TECHNICAL SPECIFICATION

Type	Power	Rotor Ø	Infeed Opening	Dimension (L / B / W)	Weight
ZMK 1607	250 kW	785 mm	approx. 1565 x 725 mm	approx. 3890 x 3600 x 4700 mm	approx. 26 t
ZMK 2007	315 kW	785 mm	approx. 1965 x 550 mm	approx. 3890 x 4000 x 4700 mm	approx. 32 t

GRANULATOR ZMK



Service & Support  
+49 (0) 72 62 / 92 43 -200

[www.thm-rs.com](http://www.thm-rs.com)  
info@thm-rs.de

