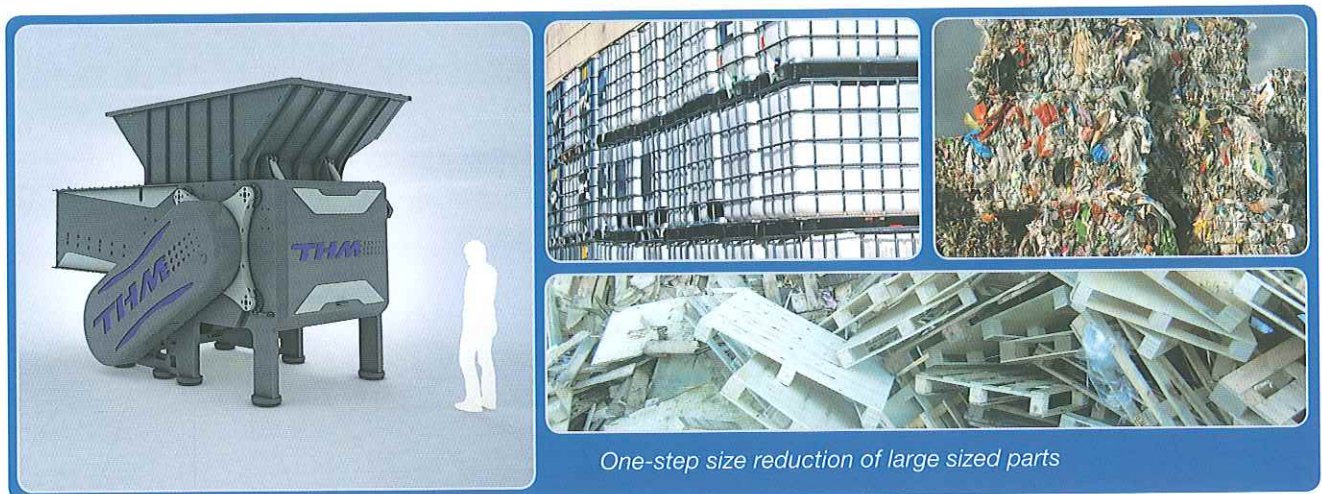


UNIVERSAL SHREDDER RSP2000

THE ALL-ROUNDER AMONG THE SHREDDERS

The RSP2000 is a new shredder solution with a new developed sequential feed pusher for a continuous, non-stop and energy efficient operation. The very massive and stable RSP2000 weighs 30 tons and performs under the harshest condition in the recycling environment. One-step size reduction of domestic waste as well as industrial waste. The RSP2000 substitute two-step size reduction systems.



One-step size reduction of large sized parts

✓ ALL BENEFITS AT A GLANCE

- Sequential feed pusher for a continuous, non-stop operation.
- Powerful drive system with a new developed planetary gear (developed by Liebherr).
- Heavy duty construction, weighting 30.000 Kg.
- Segmented feed pusher. Each pusher segment can be actuated individually according to selected material program. As a result a higher throughput capacity is achieved.
- One-step size reduction of large sized parts and difficult materials such as IBC-Container, canister, pallets, pressed bales of scrap
- Especially for the size reduction of difficult materials such as carpets or foil rolls

✓ AREAS OF APPLICATION

- Domestic and industrial waste.
- Mattresses
- Canister
- IBC-Container
- Drums
- Old wood
- Aluminum
- Tarpaulins
- Carpet rolls
- Foil rolls
- Pressed bales of scrap

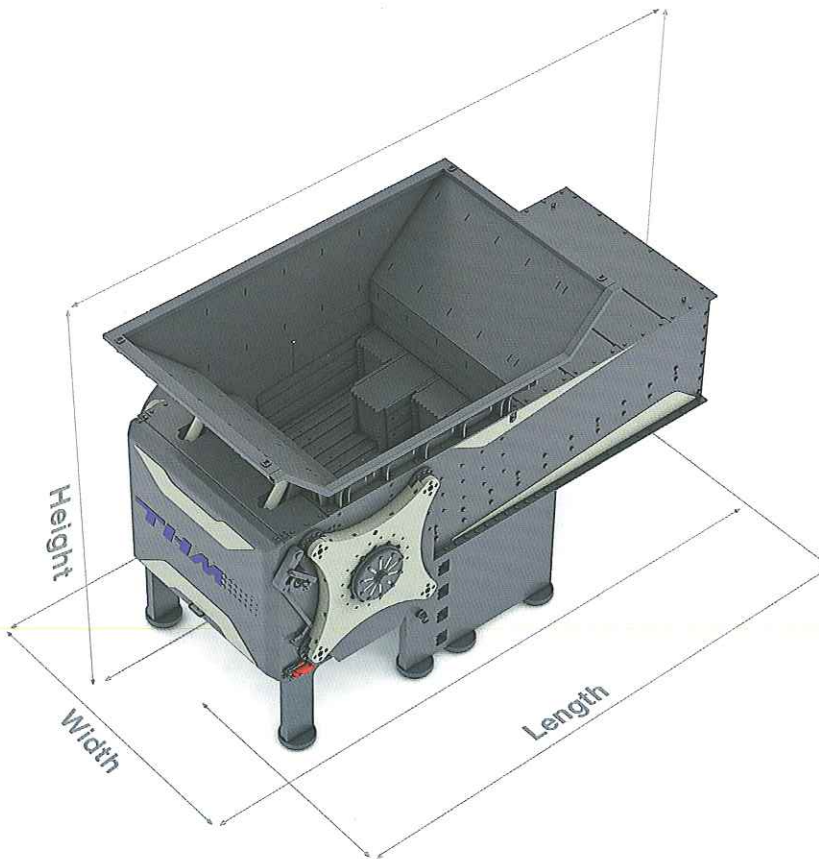


✓ PROCESSED MATERIAL FRACTIONS

- Easy to change screen segments ensures a defined particle size of the shredded material.
- Granules und flakes 10 – 60 mm

i TECHNICAL SPECIFICATION

Type	Power	Rotor Ø	Length of rotor	Dimension (L / W / H)	Feed opening	Weight
RSP2000	132 kW	750 mm	2000 mm	approx. 5500 x 3000 x 3750 mm	approx. 2000 mm x 2000 mm	approx. 30 t



UNIVERSAL SHREDDER

Service & Support
+49 (0) 70 33 - 70 898 00

www.thm-rs.de
info@thm-rs.de

